

**BULK STORAGE RACK W/PLYWOOD STYLE BEAMS**  
Installation Instructions

Tennsco Corp., Dickson, TN 37056-1888 • (615) 446-8000

**RETAIN INSTRUCTIONS FOR FUTURE REFERENCE!**

Congratulations on your purchase of a Bulk Storage Rack from **Tennsco**! Bulk Storage is ideal for storing heavy duty items that can be hand-loaded (not for use with fork lifts). Bulk Storage utilizes Z-beam construction for maximum strength. The beams are electrically

welded and made of 14-gauge heavy-duty steel, giving a load capacity of between 2150 and 4150 lbs. per shelf (see chart below for load capacities and recommended supports). Installation is simple; shelving can be expanded, reconfigured, or disassembled with ease, and no tools are required. Shelf levels are adjustable in 2" increments for maximum versatility.



**GENERAL SAFETY INFORMATION**

Some parts may have sharp edges. CARE must be taken when handling various pieces to avoid injury. For safety, wear a pair of work gloves when assembling or performing any maintenance on shelving.

**NOTE:** Tennsco's Bulk Storage Rack is intended for **HAND** loading only; no fork lifts.

**SHELF LOAD CAPACITIES AND RECOMMENDED SUPPORT ANGLES PER LEVEL**

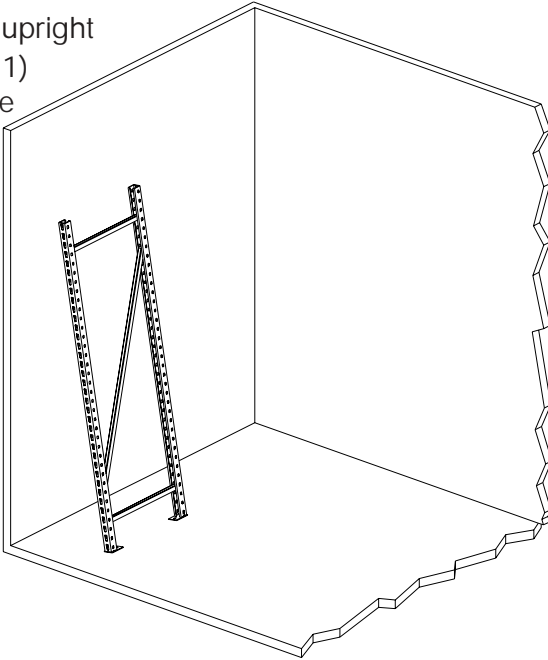
24" DEEP			36" DEEP			48" DEEP		
Width	Supports Per Level	Load Cap.	Width	Supports Per Level	Load Cap.	Width	Supports Per Level	Load Cap.
48"	2	4150 lbs.	48"	2	3000 lbs.	48"	2	1500 lbs.
60"	2	3800 lbs.	48"	4	4150 lbs.	48"	4	2250 lbs.
72"	3	2750 lbs.	60"	2	3800 lbs.	48"	6	3000 lbs.
96"	4	2150 lbs.	72"	3	2750 lbs.	48"	8	4150 lbs.
			96"	4	2150 lbs.	60"	2	1500 lbs.
						60"	4	2250 lbs.
						60"	6	3800 lbs.
						72"	3	2750 lbs.
						96"	4	2150 lbs.

# ASSEMBLY OF BULK STORAGE SHELVING

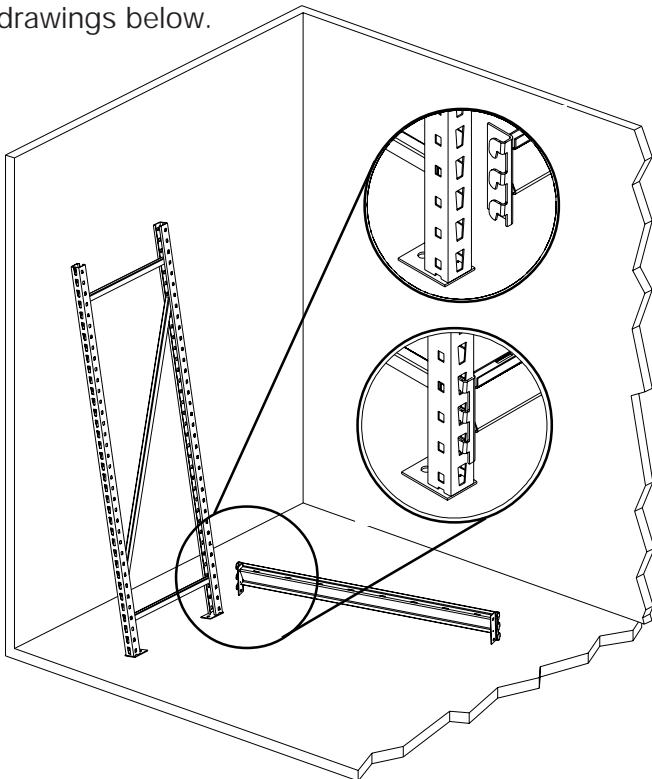
Tools Needed: None. Approximate assembly time: 2 people, 10 to 20 minutes per section.

1. The reference numbers used throughout this sheet refer to the illustration on the back cover. This is to help you to identify the various parts as they are mentioned while assembling.

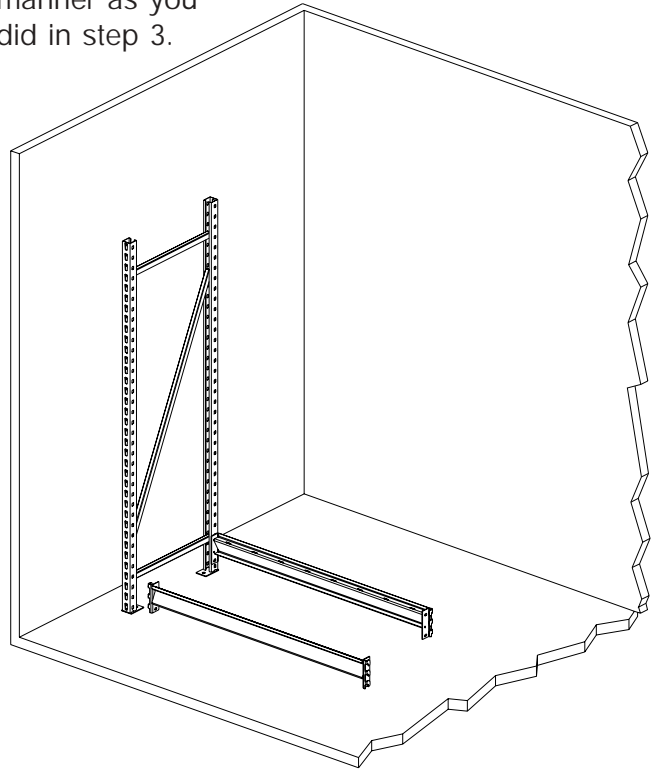
2. Lean one upright (Ref. No. 1) against the wall, or have an associate hold it for you.



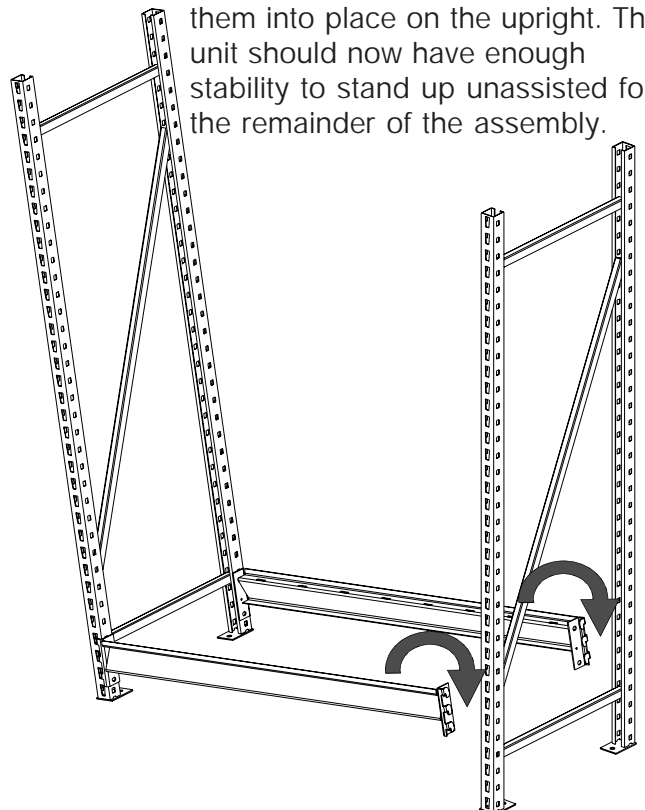
3. Attach one bottom beam (Ref. No. 2) to the upright, hooking the tapered fingers into the holes on the upright as shown in inset drawings below.

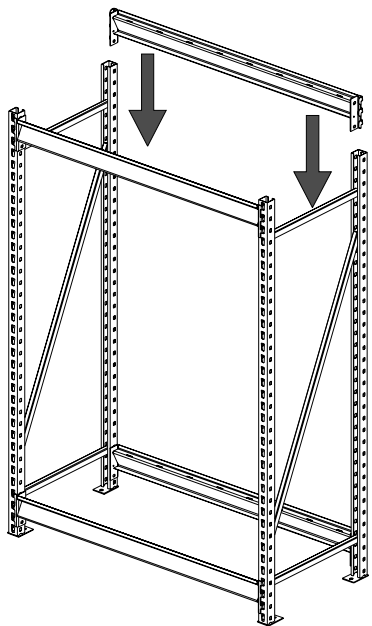


4. Attach the second bottom beam in the same manner as you did in step 3.



5. Holding the second upright in place, lift the loose ends of the two bottom beams and fit them into place on the upright. The unit should now have enough stability to stand up unassisted for the remainder of the assembly.

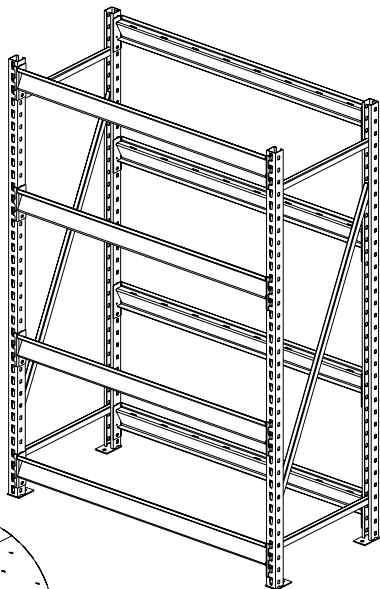
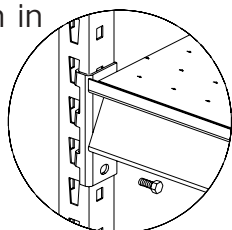




6. Attach the two top beams to the uprights at the desired level, using the same basic principals you used in steps 3 through 5.

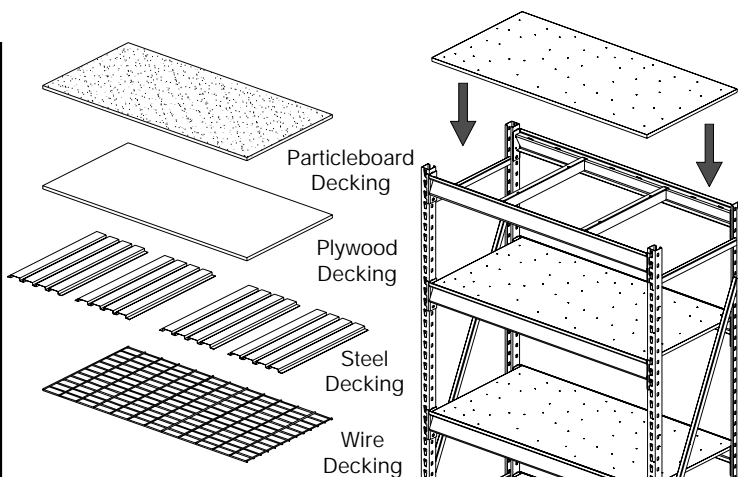
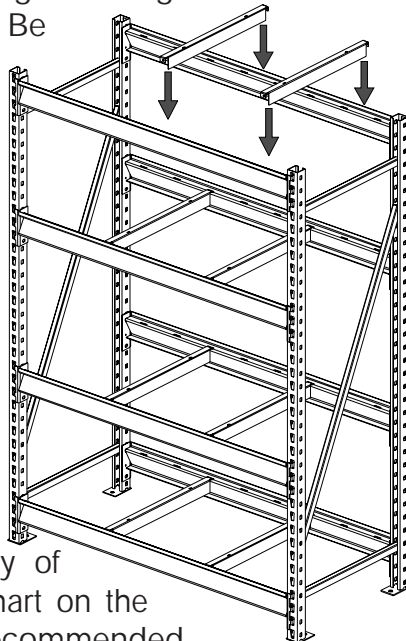
7. Repeat step 6 to attach any additional shelf levels.

**NOTE:** As added prevention from beams dislodging, you can optionally place a bolt and nut (available locally) through each beam as shown in the inset at right:



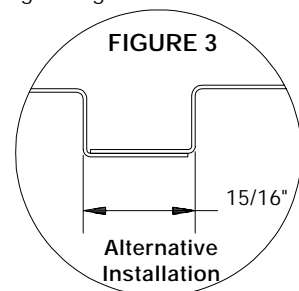
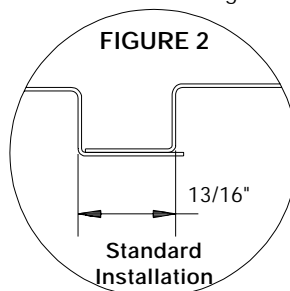
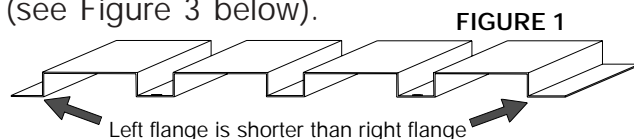
8. Place the support angles (Ref. No. 3) on each shelf level by inserting the flanges into the slots on the beams. Be sure to space the support angles evenly to achieve maximum shelf strength.

**PLEASE NOTE:** Illustration shows two support angles per level. The number of support angles per level will vary depending upon the width and desired load capacity of your unit. See the chart on the front cover for the recommended number of support angles for your unit.



9. Your unit may have any of the above styles of shelf decking (Ref. No. 4a, 4b, or 4c). Place the shelf decking onto the shelf supports. The decking should fit into the supports so that the decking is flush with the edge of the shelf support.

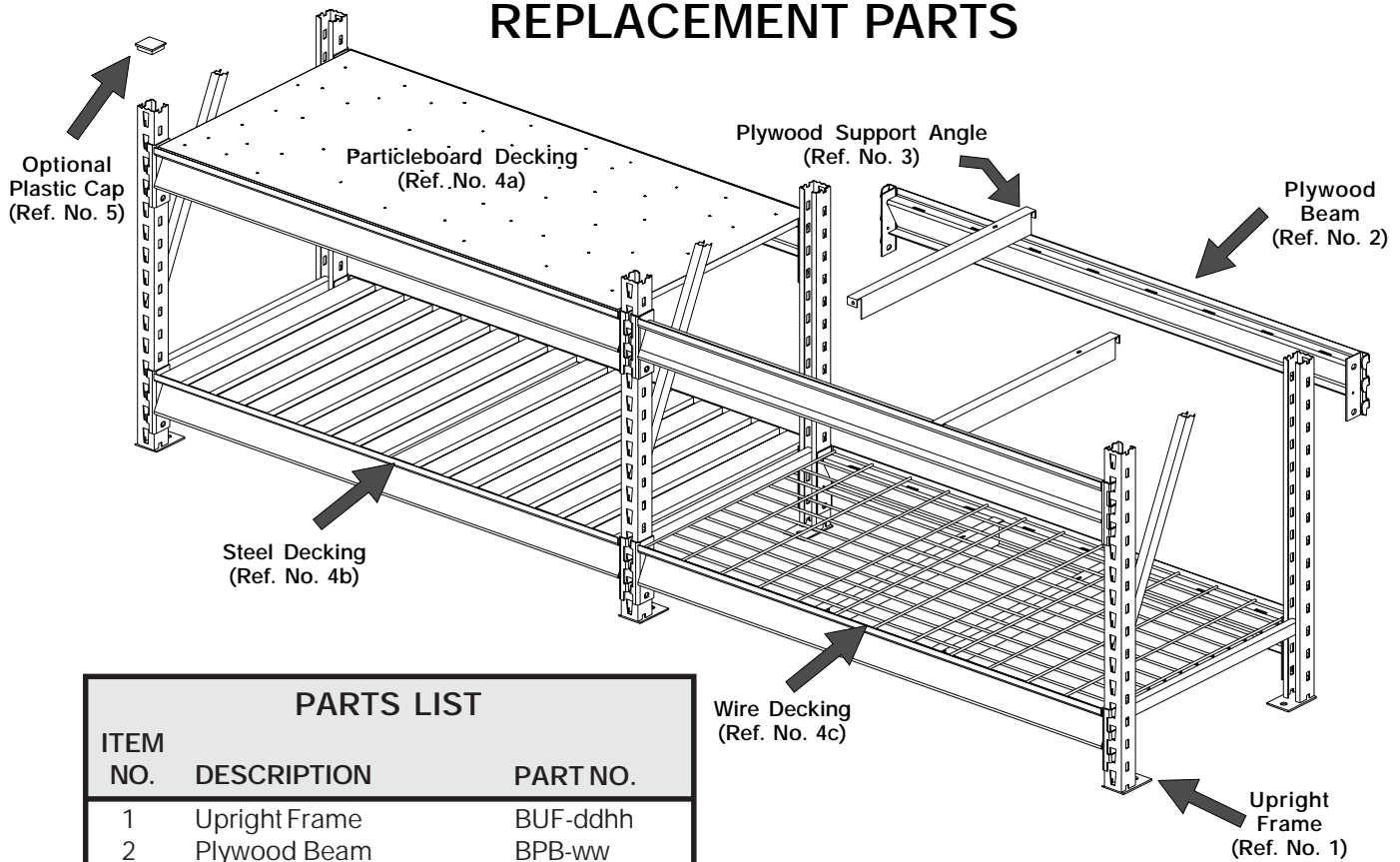
**NOTE: To install steel corrugated decking:** Steel decking comes in 12" sections that lay side by side on top of the rack beams. Please note the decking is not symmetric; one end flange is longer than the other (see Figure 1 below). Normally, you would want to position the decking so the longer flange is below the shorter flange (see Figure 2 below). However, if you want to take up some left to right slack, placing the longer flange on top spreads the decking out more (see Figure 3 below).



10. Adder units share a common upright; simply insert the next row of beams onto the opposite side of the upright to extend your shelving (see illustration on back page.)

11. Your shelving may be secured to the floor by bolting through the anchor holes located on each upright foot. Your Bulk Storage Unit is now ready to use.

# REPLACEMENT PARTS



## PARTS LIST

ITEM NO.	DESCRIPTION	PART NO.
1	Upright Frame	BUF-ddhh
2	Plywood Beam	BPB-ww
3	Plywood Support Angle	BPS-dd
4a	Particleboard Decking	PB-wwdd
4b	Steel Decking	BSD-wwdd
4c	Wire Decking	ZWD-wwdd
5	OPTIONAL Plastic Cap	BUP-1

We make every effort to ensure that all units ship complete with all parts and arrive undamaged. However, should your unit contain missing or damaged parts, replacements may be obtained directly from us. To obtain proper replacement parts, follow the instructions below or go to [www.tennsco.com/partsorder.html](http://www.tennsco.com/partsorder.html).

### TO OBTAIN PROPER REPLACEMENT PARTS, PLEASE PROVIDE THE FOLLOWING INFORMATION:

- Description of part(s) needed and part number(s) as shown in Parts List (above)
- Color (Sand)
- Was item missing, or was it damaged?
- Purchase Date
- Your company name
- Contact person's name
- Who the product was purchased from

Tennsco Corp., P.O. Box 1888, Dickson, TN 37056-1888 Voice: (866) 446-8686 (toll free) Fax: (800) 722-0134  
 If requesting parts by telephone, ask for customer service and have as much of the above information ready as possible.

### LIMITED WARRANTY

Tennsco warrants goods purchased hereunder to be free of defects in materials and workmanship for a period of one (1) year from the date of shipment, hereunder. This warranty shall not apply in the event goods are damaged as a result of misuse, abuse, neglect, accident, improper application, modification or repair by persons not authorized by Seller, where goods are damaged during shipment, or where the date stamps on the goods have been defaced, modified or removed. UNLESS CONSIDERED UNENFORCEABLE OR UNLAWFUL UNDER APPLICABLE LAW:

- a. ALL IMPLIED WARRANTIES, INCLUDING BUT NOT LIMITED TO WARRANTIES OR MERCHANTABILITY AND FITNESS FOR A PARTICULAR PURPOSE ARE HEREBY EXCLUDED:
- b. BUYERS REMEDY, IF ANY, FOR ANY DEFECTIVE GOODS SHALL BE LIMITED TO A REFUND BY SELLER OR REPLACEMENT OF THE GOODS AT SELLER'S OPTION, AND SHALL IN NO EVENT INCLUDE DAMAGES OF ANY KIND, WHETHER INCIDENTAL, CONSEQUENTIAL OR OTHERWISE.

NO GOODS ACCEPTED FOR RETURN WITHOUT PRIOR APPROVAL. Seller shall have the right to inspect any goods claimed to be defective at Buyer's place of business or require Buyer to return the goods to Seller for inspection on Seller's premises. Transportation charges covering returned goods will be borne by Seller only if such goods are proven to be defective, are covered by this warranty and are returned within the warranty period stated above.

TENNSCO CORP., P.O. BOX 1888, DICKSON, TN 37056-1888  
 (615) 446-8000 (800) 251-8184